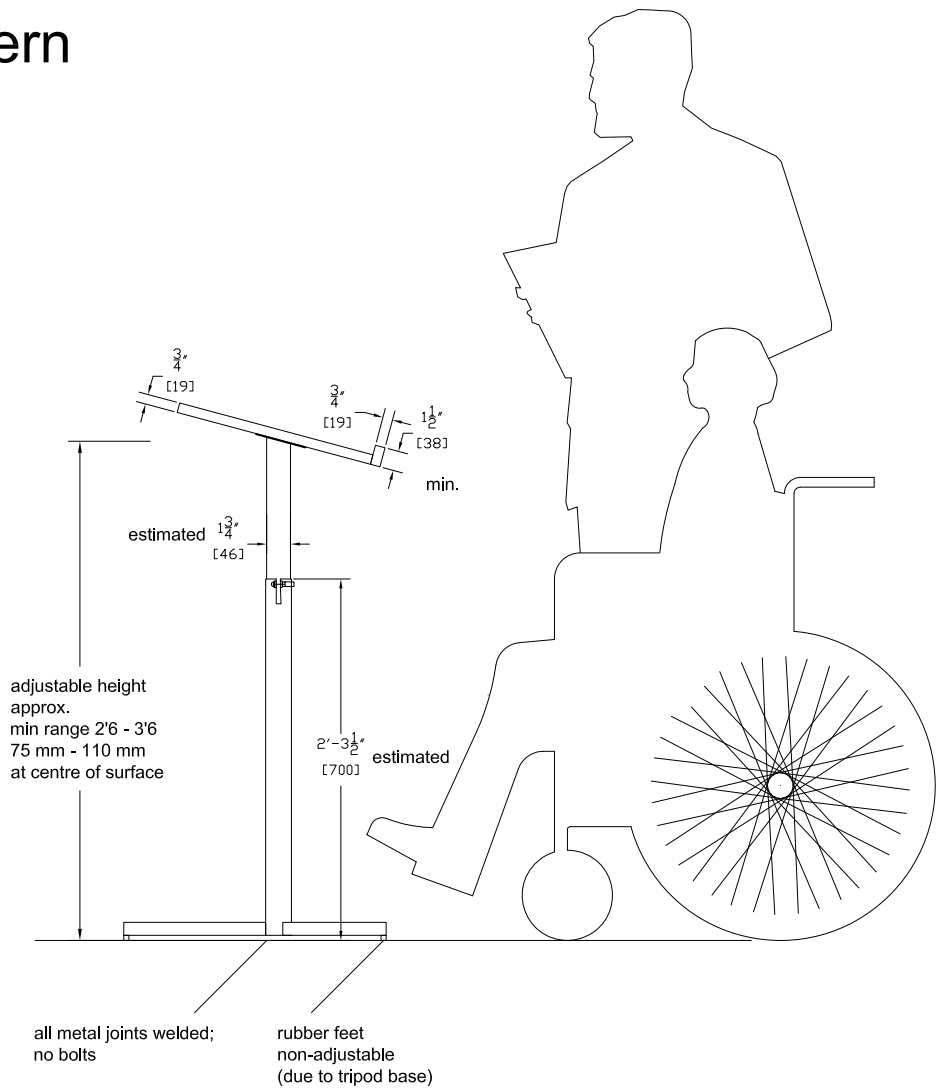
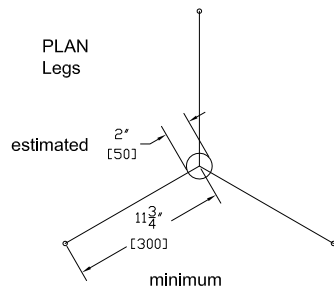
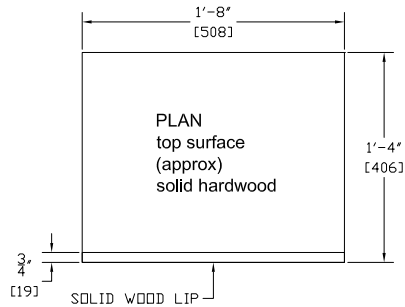


# UofT standard Classroom Lectern

\* all dimensions approximate  
subject to change by builder

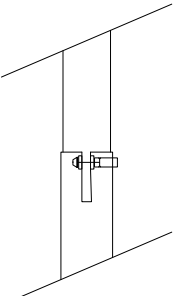


**FINISH**  
all metal: black or dark grey  
wood: fine grain  
stain clear (none) or medium  
durable topcoat all sides

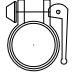
**Clamp - NOT TO SCALE**

requirements:

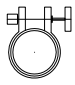
- secures tight
- large easy to grab knob / clamp
- no open areas where fingers could be pinched
- long term durability
- prefer clamp that squeezes post, as in a bicycle seat clamp, as opposed to a threaded bold which drives into the side of the interior post



like this  
(clamp - bicycle style)



or this (knob)



slotted exterior post  
squeezes interior post